

**Sandwich Prep Tables**  
Mega Tops  
**KSTM SERIES**

Project Name:	
Location:	
Item:	Qty:
Model:	



**27"**  
KSTM-27-1



**36"**  
KSTM-36-2



**48"**  
KSTM-48-2



**60"**  
KSTM-60-2



**72"**  
KSTM-72-3



5659 Royalmount Ave.  
Montreal, QC, Canada H4P 2P9  
Telephone: 514.737.9701 / Toll Free: 888.275.4538  
Fax: 514.342.3854 / Toll Free: 877.453.8832  
sales@mvpgroupcorp.com / mvpgroupcorp.com

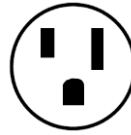
12000 Biscayne Blvd., Suite # 108  
Miami, FL, United States 33181  
Telephone: 786.600.4687 / Toll Free: 844.218.8477  
Fax: 786.661.4100

# Mega Top Sandwich Prep Tables

Model Number	Capacity (cubic feet)	Number of Doors	Number of Shelves	Number of Pans	HP	Amps	Net Weight (lbs.)	Shipping Weight (lbs.)	Shipping Dimensions (W x D x H in inches)	Internal Dimensions (W x D x H in inches)
KSTM-27-1	7	1	1	12	1/5	3.3	170	211	28.9 x 36.2 x 44.8	23.5 x 22.2 x 21.4
KSTM-36-2	9.5	2	2	15	1/5	3.5	196	249	37.8 x 36.2 x 44.8	31.5 x 22.2 x 21.4
KSTM-48-2	13.1	2	2	18	1/3	5.5	234	307	49.7 x 36.2 x 44.8	40 x 22.2 x 21.4
KSTM-60-2	16.7	2	2	24	1/3	5.5	278	338	61.8 x 36.2 x 44.8	52.2 x 22.2 x 21.4
KSTM-72-3	20.2	3	3	30	1/3	6	328	393	73.8 x 36.2 x 44.8	63.1 x 22.2 x 21.4

These units are designed for maximum performance in an air-conditioned area of 75°F ambient temperature and 55% relative humidity. There must be adequate ventilation at the top, sides & rear of the unit for proper operation.

Warranty: 36 months parts & labor. Additional 24 months on compressor (part only).



115V / 60 Hz / 1  
NEMA 5 – 15P  
DEDICATED CIRCUIT



5659 Royalmount Ave.  
Montreal, QC, Canada H4P 2P9  
Telephone: 514.737.9701 / Toll Free: 888.275.4538  
Fax: 514.342.3854 / Toll Free: 877.453.8832  
sales@mvpgroupcorp.com / mvpgroupcorp.com

12000 Biscayne Blvd., Suite # 108  
Miami, FL, United States 33181  
Telephone: 786.600.4687 / Toll Free: 844.218.8477  
Fax: 786.661.4100

## Durable Design

- Created to endure the everyday stress of the commercial kitchen environment, to protect your long-term investment and guarantee superior food preservation
- Coated evaporator coil
- 1 height adjustable, heavy-duty, PE coated wire shelf per door
- Spring loaded, self closing doors
- Door swing is field reversible on 27" units (part KB-5246 required)
- Removable, easy to clean 9.5" cutting board
- Simple plug-in installation

## Energy Efficiency

- Self-closing door with stay open feature
- Seals tight with magnetic vinyl gasket
- Foamed-in place high-density polyurethane insulated body, CFC-Free
- Environmentally friendly R-134a refrigerant
- 1" thick insulated lids

## Superior Quality

- Designed for mobility, reliability & efficiency in commercial kitchens
- 4" swivel castors with 2 front brakes
- 36" high working surface
- Easy grip door handle(s)
- Entirely self-contained system
- Forced air refrigeration
- Automatic defrost system
- Easily adjustable shelf height
- Stainless Steel interior & exterior
- 1/6 x 4" size polycarbonate food pans included (can accommodate 6" pans)
- 1/9 x 4" size polycarbonate food pans included (on KST-27-1 only)

### KSTM Series Sandwich Prep Tables

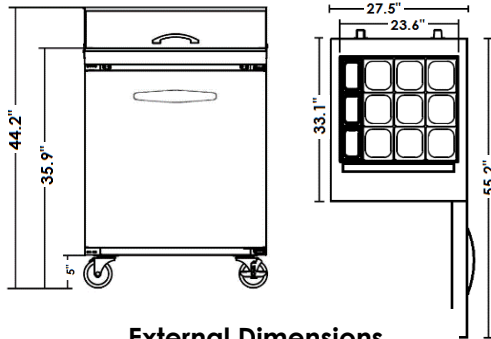
- Temperature range : 33°F to 40°F



5659 Royalmount Ave.  
Montreal, QC, Canada H4P 2P9  
Telephone: 514.737.9701 / Toll Free: 888.275.4538  
Fax: 514.342.3854 / Toll Free: 877.453.8832  
sales@mvpgroupcorp.com / mvpgroupcorp.com

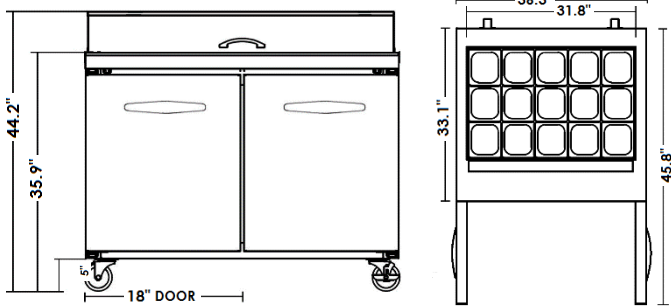
12000 Biscayne Blvd., Suite # 108  
Miami, FL, United States 33181  
Telephone: 786.600.4687 / Toll Free: 844.218.8477  
Fax: 786.661.4100

**27"**  
**KSTM-27-1**



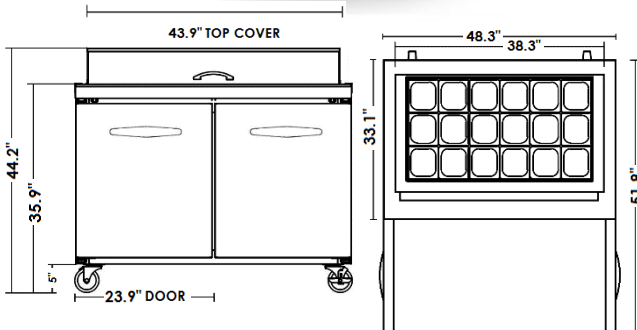
**External Dimensions**  
27.5 x 33.1 x 44.2 (W" x D" x H")

**36"**  
**KSTM-36-2**



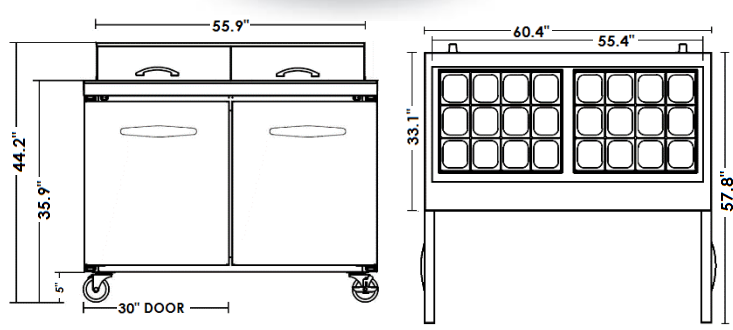
**External Dimensions**  
36.4 x 33.1 x 44.2 (W" x D" x H")

**48"**  
**KSTM-48-2**



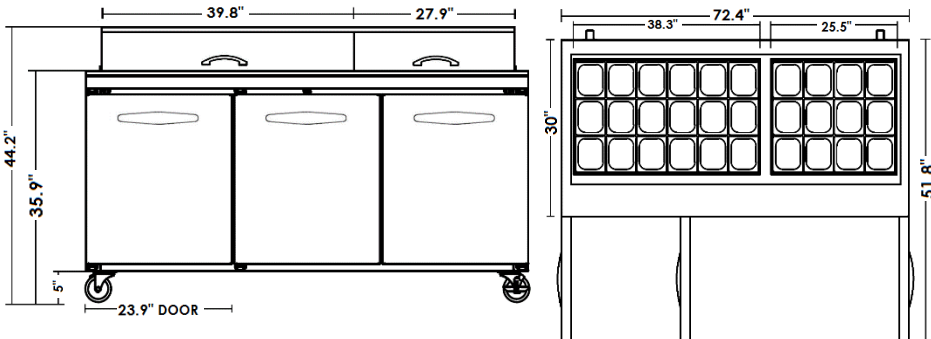
**External Dimensions**  
48.4 x 33.1 x 44.2 (W" x D" x H")

**60"**  
**KSTM-60-2**



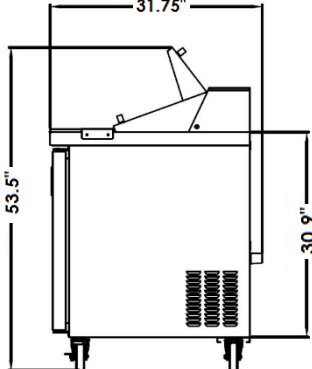
**External Dimensions**  
60.4 x 33.1 x 44.2 (W" x D" x H")

**72"**  
**KSTM-72-3**



**External Dimensions**  
72.4 x 33.1 x 44.2 (W" x D" x H")

**Side View of all Sandwich Prep Tables**



KOOL-IT is a registered trademark of MVP Group. Specifications subject to change without notice.



5659 Royalmount Ave.  
Montreal, QC, Canada H4P 2P9  
Telephone: 514.737.9701 / Toll Free: 888.275.4538  
Fax: 514.342.3854 / Toll Free: 877.453.8832  
sales@mvpgroupcorp.com / mvpgroupcorp.com

12000 Biscayne Blvd., Suite # 108  
Miami, FL, United States 33181  
Telephone: 786.600.4687 / Toll Free: 844.218.8477  
Fax: 786.661.4100