



Pizza Prep Tables
KPT SERIES

Project Name:	
Location:	
Item:	Qty:
Model:	



44"
KPT-44-1



67"
KPT-67-2



93"
KPT-93-3



09-2018

5659 Royalmount Ave.
Montreal, QC, Canada H4P 2P9
Telephone: 514.737.9701 / Toll Free: 888.275.4538
Fax: 514.342.3854 / Toll Free: 877.453.8832
sales@mvpgroupcorp.com / mvpgroupcorp.com

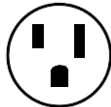
12000 Biscayne Blvd., Suite # 108
Miami, FL, United States 33181
Telephone: 786.600.4687 / Toll Free: 844.218.8477
Fax: 786.661.4100

Pizza Prep Tables

Model Number	Capacity (cubic feet)	Number of Doors	Number of Shelves	Number of Pans	Refrigerant	HP	Amps	Net Weight (lbs.)	Shipping Weight (lbs.)	Shipping Dimensions (W x D x H in inches)	Internal Dimensions (W x D x H in inches)
KPT-44-1	11	1	2	6	R-134a	3/8	6.5	302	331	48.4 x 37 x 44.3	29.9 x 26.4 x 23.4
KPT-67-2	20	2	4	9	R-134a	3/8	6.5	381	412	70.9 x 37 x 44.3	49.8 x 26.4 x 23.4
KPT-93-3	31	3	6	12	R-404a	1/2	7.5	509	542	97.6 x 37 x 44.3	93.25 x 26.4 x 23.4

These units are designed for maximum performance in an air-conditioned area of 75°F ambient temperature and 55% relative humidity. There must be adequate ventilation at the top, sides & rear of the unit for proper operation.

Warranty: 36 months parts & labor. Additional 24 months on compressor (part only).



115V / 60 Hz / 1
NEMA 5 – 15P
DEDICATED CIRCUIT



5659 Royalmount Ave.
Montreal, QC, Canada H4P 2P9
Telephone: 514.737.9701 / Toll Free: 888.275.4538
Fax: 514.342.3854 / Toll Free: 877.453.8832
sales@mvpgroupcorp.com / mvpgroupcorp.com

12000 Biscayne Blvd., Suite # 108
Miami, FL, United States 33181
Telephone: 786.600.4687 / Toll Free: 844.218.8477
Fax: 786.661.4100

Durable Design

- Created to endure the everyday stress of the commercial kitchen environment, to protect your long term investment and guarantee superior food preservation
- Coated evaporator coil
- 2 height adjustable, heavy-duty, PE coated wire shelves per door
- Spring loaded, self-closing doors
- Removable, easy to clean 18.9" cutting board
- Simple plug-in installation

Energy Efficiency

- Self-closing door with stay open feature
- Seals tight with magnetic vinyl gasket
- Foamed-in place high-density polyurethane insulated body, CFC-Free
- 1" thick insulated lids

Superior Quality

- Designed for mobility, reliability & efficiency in commercial kitchens
- 5" swivel casters with 2 front brakes
- 36" high working surface
- Easy grip door handle(s)
- Entirely self-contained system
- Forced air refrigeration
- Automatic defrost system
- Easily adjustable shelf height
- Stainless Steel interior & exterior
- Polycarbonate food pans included
- 1/3" size x 4" Pans (Unit can accommodate 6" pans but only on the left side of the unit, not the right as this could block and cause ventilation issues in the unit)

KPT Series Pizza Prep Tables

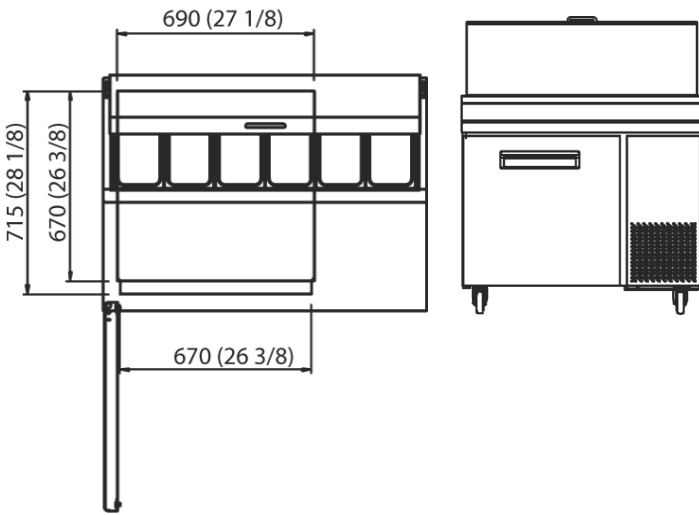
- Temperature range : 33°F to 40°F



5659 Royalmount Ave.
Montreal, QC, Canada H4P 2P9
Telephone: 514.737.9701 / Toll Free: 888.275.4538
Fax: 514.342.3854 / Toll Free: 877.453.8832
sales@mvpgroupcorp.com / mvpgroupcorp.com

12000 Biscayne Blvd., Suite # 108
Miami, FL, United States 33181
Telephone: 786.600.4687 / Toll Free: 844.218.8477
Fax: 786.661.4100

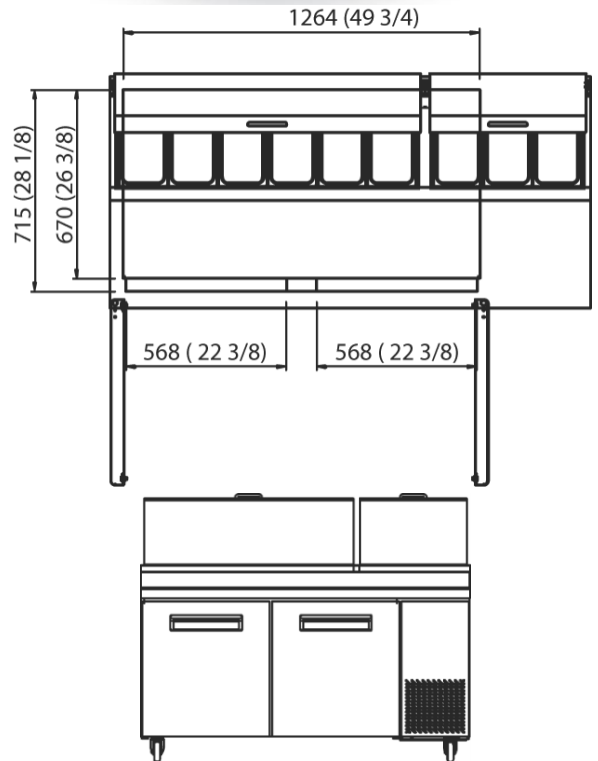
44"
KPT-44-1



External Dimensions (W" x D" x H")

44.4 x 36.5 x 41.9

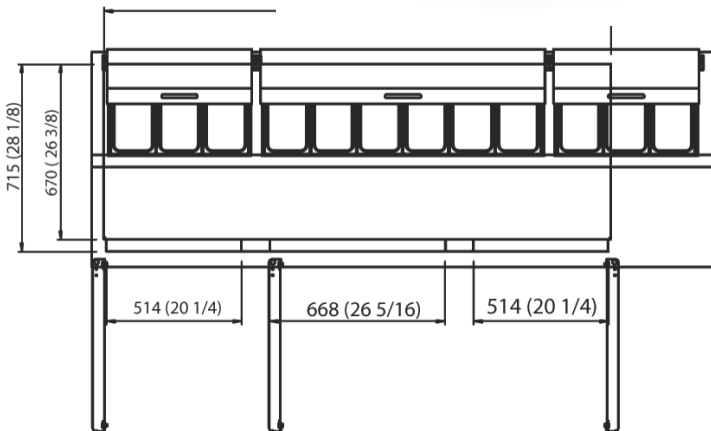
67"
KPT-67-2



External Dimensions (W" x D" x H")

67 x 36.5 x 41.9

93"
KPT-93-3



External Dimensions (W" x D" x H")

93.3 x 36.5 x 41.9



5659 Royalmount Ave.
Montreal, QC, Canada H4P 2P9
Telephone: 514.737.9701 / Toll Free: 888.275.4538
Fax: 514.342.3854 / Toll Free: 877.453.8832
sales@mvpgroupcorp.com / mvpgroupcorp.com

12000 Biscayne Blvd., Suite # 108
Miami, FL, United States 33181
Telephone: 786.600.4687 / Toll Free: 844.218.8477
Fax: 786.661.4100