



# Salad / Sandwich PREP TABLE

KSR-27B    KSR-48B    KSR-60B    KSR-72B

## Features

- Electronic thermostat and digital LED temperature display for accurate control and easy reading
- Easy to mount 4" casters (lockable in front) are standard with all units
- Self-closing doors that remain open at 90 degree, locks and keys included
- Stainless steel exterior and interior
- Cold air loops on both bottom and top surface of the pan
- Removeable installation board makes it easy to access condenser coil for cleaning and service.
- Temperature: 33 to 41°F / 0.5 to 5°C
- R-290 Natural refrigerant
- Embraco Compressor, Italy Carel controller



NEMA  
5-15P



KSR-27B



KSR-48B



KSR-60B



KSR-72B



Global famous  
compressor



High quality fan



Copper tube condenser  
and evaporator



Global famous  
controller



R290 refrigerant



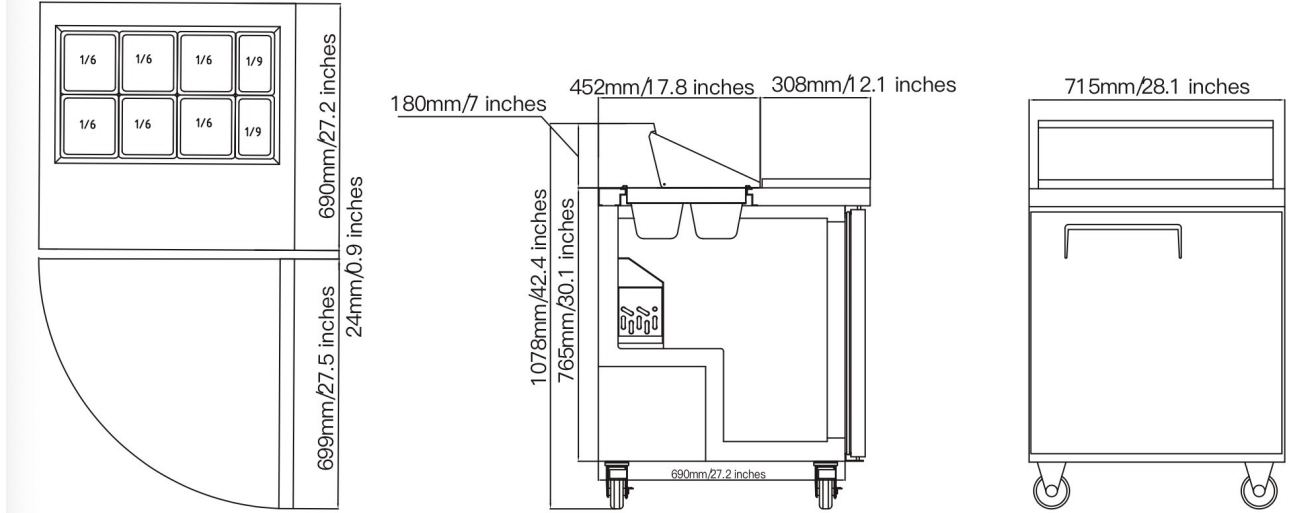
Intertek



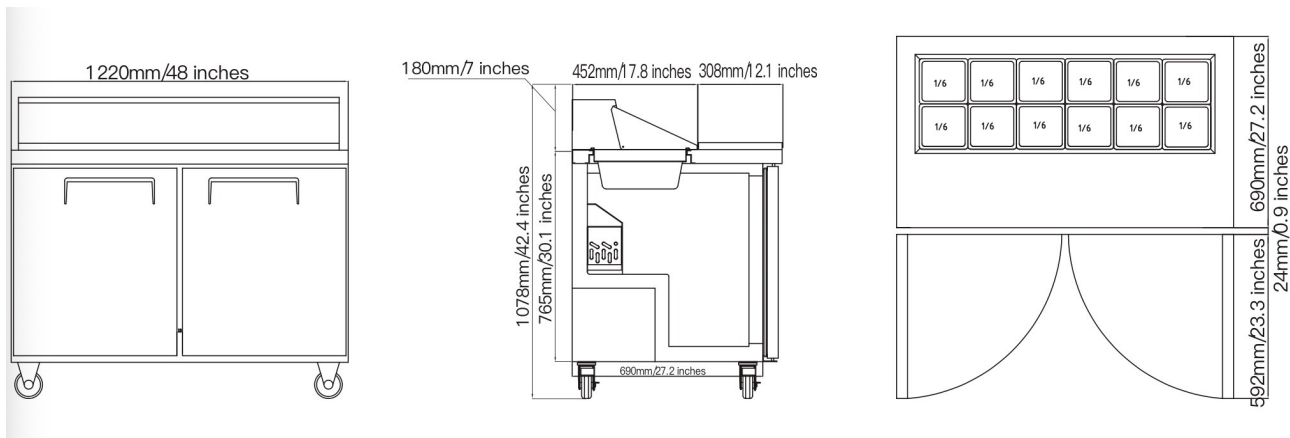
Intertek

Model	Ext. Dimensions (W X D X H)	Voltage	Amps	H.P	Shelves	Capacity (Cu.Ft)	Ship Weight
KSR-27B	28.1X29.9X42.4	115/60/1	2.5	1/4	1	7.4	215
KSR-48B	48X29.9X42.4	115/60/1	2.5	1/4	2	12.9	285
KSR-60B	60X29.9X42.4	115/60/1	4.6	1/2	2	16.4	350
KSR-72B	72X29.9X42.4	115/60/1	4.6	1/2	3	20	402

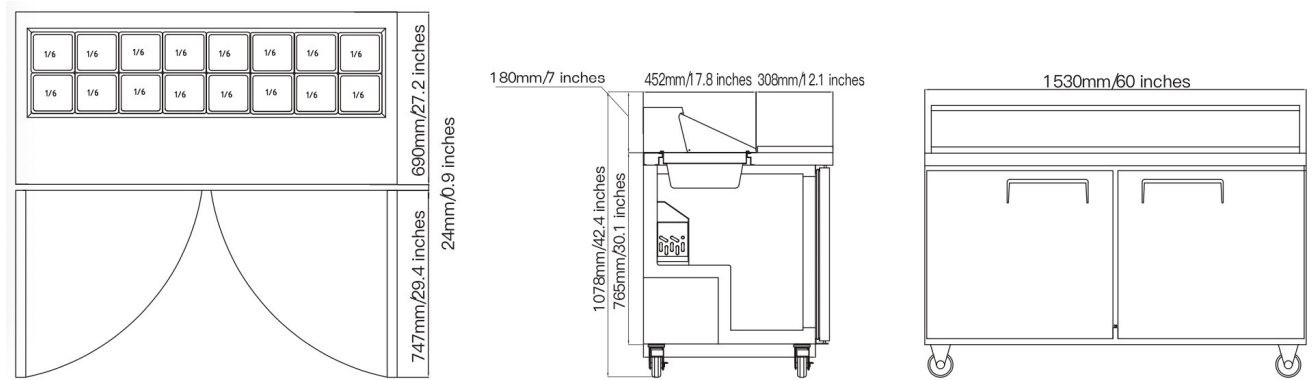
**KSR-27B**



**KSR-48B**



**KSR-60B**



**KSR-72B**

