



PROJECT: _____

ITEM #: _____

QUANTITY #: _____

DATE #: _____

Griddles- Manual Control

ITEM NUMBERS

MT-G12-M MT-G24-M MT-G36-M

MT-G48-M MT-G60-M

SPECIAL FEATURES

- 12", 24", 36", 48" & 60" widths,
- 30,000 BTU output per burner
- 3/4" thick polished steel griddle plate
- Adjustable manual gas controls provide easy and safe operations
- Pilot light can be lit from the front for ease of use
- "U" shape burners provide even heat distribution every 12"
- Gas control knob every 12"
- All stainless steel cabinet
- Double wall insulated sides
- "Cool-to-the-touch" front s/s edge
- Back and side splash guards fully welded to griddle plate
- Flue located on back of unit for ample ventilation
- Adjustable stainless steel legs, non-skid feet
- Easy to remove 3-1/4" grease drawer with "weep hole" and baffle
- Griddle is fully serviceable from the front



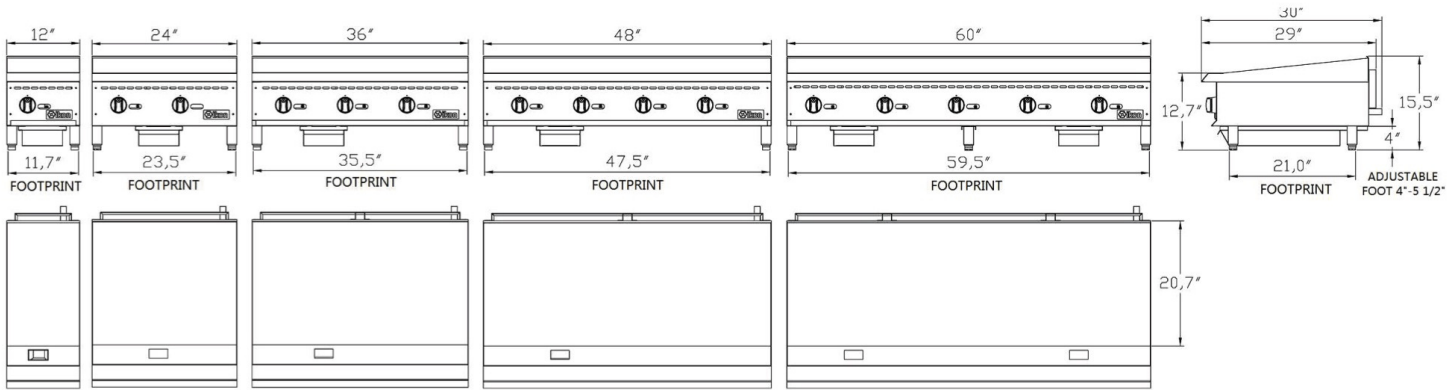
PROJECT: _____

ITEM #: _____

QUANTITY #: _____

DATE #: _____

MANUAL GRIDDLES - Products Specifications



MT-G12- M MT-G24- M MT-G36- M MT-G48- M MT-G60- M

Model	Footprint	Overall Dimensions	Weight	Shipping Dimensions	Shipping Weight
MT-G12-M	11.7"W x 21.0"D (53.4cm x 29.7cm)	12.0"W x 34.4"D x 15.5"H (30.5cm x 87.3cm x 39.4cm)	99 lbs (45kg)	16.2"W x 36.2"D x 19.3"H (41cm x 92cm x 49cm)	121 lbs (55kg)
MT-G24-M	23.5"W x 21.0"D (59.69cm x 53.3cm)	24.0"W x 34.4"D x 15.5"H (61.0cm x 87.3cm x 39.4cm)	156 lbs (71.0kg)	28.3"W x 36.2"D x 19.3"H (72cm x 92cm x 49cm)	196 lbs (89.0kg)
MT-G36-M	35.5"W x 21.0"D (90.2cm x 53.3cm)	36.0"W x 34.4"D x 15.5"H (91.4cm x 87.3cm x 39.4cm)	220 lbs (100.0kg)	40.6"W x 36.2"D x 19.3"H (103cm x 92cm x 49cm)	284 lbs (129.0kg)
MT-G48-M	47.5"W x 21.0"D (120.6cm x 53.43cm)	48.0"W x 34.4"D x 15.5"H (122.0cm x 87.3cm x 39.4cm)	277 lbs (126.0kg)	52.8"W x 36.2"D x 19.3"H (134cm x 92cm x 49cm)	355 lbs (161.0kg)
MT-G60-M	59.5"W x 21.0"D (151.1cm x 53.3cm)	60.0"W x 34.4"D x 15.5"H (152.4cm x 87.3cm x 39.4cm)	340 lbs (154kg)	64.8"W x 36.2"D x 19.3"H (164.5cm x 92cm x 49cm)	417 lbs (189.0kg)

Model	Cooking Area	Controls	# of Burners	BTU's per Burner	Total BTU's
MT-G12-M	12"W x 20.5"D	Manual	1	30,000	30,000
MT-G24-M	24"W x 20.5"D	Manual	2	30,000	60,000
MT-G36-M	36"W x 20.5"D	Manual	3	30,000	90,000
MT-G48-M	48"W x 20.5"D	Manual	4	30,000	120,000
MT-G60-M	60"W x 20.5"D	Manual	5	30,000	150,000



GAS REQUIREMENTS:

- Natural Gas Gas main supply required
- 3/4" NPT gas connection
- Natural gas 4" W.C. One pilot light per burner
- A conversion kit is supplied with each unit. In order to avoid any warranty issues, conversion of your unit must be completed by an authorized Manotick service agent.

Please Note: These items are shipped on a pallet and are crated for protection during LTL shipment. Overall Dimensions include the gas regulator located on the back of the unit